

41

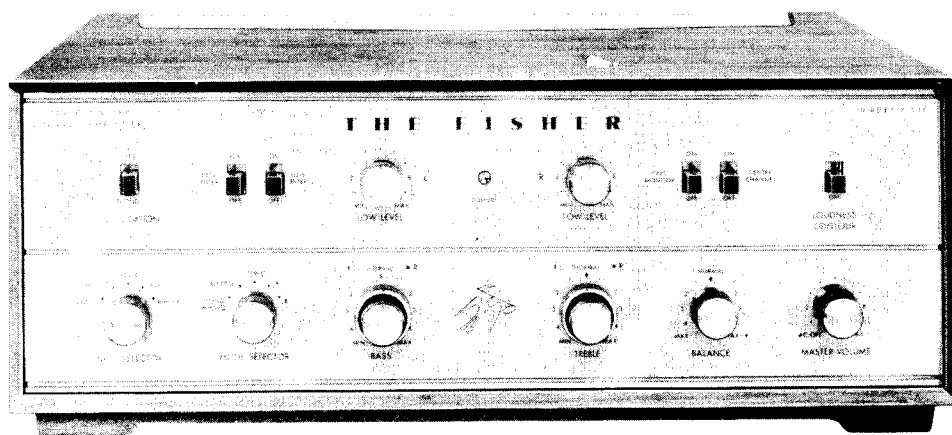


Stereophonic

THE FISHER X-100

SERVICE

MANUAL



MODEL X-100

CHASSIS SERIAL NUMBERS
FROM 30001 TO 39999 INCLUSIVE

PRICE: \$1.00

FISHER RADIO CORPORATION · NEW YORK

41

CHASSIS SERIAL NUMBERS
FROM 30001 TO 39999 INCLUSIVE

THE FISHER X-100



PARTS DESCRIPTION LIST

CAPACITORS

10 % tolerance for all fixed capacitors, unless otherwise noted or marked GMV (guaranteed minimum value.)

Symbol	Description	Part No.
C1, 2	Ceramic, 330uf, 1000V	C50072-1
C3, 4	Ceramic, .02uf, 20%, 500V	C50089-5
C5, 6	Ceramic, .01uf, 20%, 500V	C50089-3
C7	Ceramic, 24uf, 5%, N150, 1000V	C50070-8
C8	Ceramic, 18uf, N470, 1000V	C50070-13
C9, 10	Ceramic, .001uf, 1000V	C50072-3
C11, 12	Mylar, .039uf, 250V	C50197-61
C13, 14	Ceramic, .0015uf, 1000V	C50072-10
C15	Electrolytic, 3 section: A: 100uf, 150V B: 40 uf, 450V C: 40uf, 450V	C50180-14
C16	Electrolytic, 20uf, 350V	C692-131
C17, 18	Mylar, .047uf, 250V	C50197-52
C19, 20	Mylar, .033uf, 250V	C50197-51
C21, 22	Mylar, .022uf, 250V	C50197-49
C23	Ceramic, 33uf, N750, 1000V	C50070-15
C24	Ceramic, 560uf, 1000V	C50072-14
C25	Ceramic, 33uf, N750, 1000V	C50070-15
C26	Ceramic, 560uf, 1000V	C50072-14
C27	Electrolytic, 2 section: A: 40uf, 500V B: 60uf, 450V	C50180-34
C30, 31	Ceramic, 7uf, 1000V	C50070-20
C32, 33	Electrolytic, 25uf, 6V	C639-114
C34, 35	Ceramic, 560uf, 1000V	C50072-14
C36, 37, 38, 39	Mylar, .047uf, 400V	C50197-30
C40, 41	Ceramic, 33uf, N750, 1000V	C50070-15
C42, 43	Ceramic, 330uf, 1000V	C50072-1

RESISTORS AND POTENTIOMETERS

In Ohms, 10 % tolerance, 1/2 Watt, unless otherwise noted. K=KILOHM, M=MEGOHM.

Symbol	Description	Part No.
R1, 2	Composition, 120K	RC20BF124K
R3, 4	Composition, 270K	RC20BF274K
R5, 6	Dep. Carbon, 100K, 5%, 1/3 W	R33DC104J
R7	Dep. Carbon, 10K, 5%, 1/3 W	R33DC103J
R8	Dep. Carbon, 100K, 5%, 1/3 W	R33DC104J
R9	Dep. Carbon, 10K, 5%, 1/3 W	R33DC103J
R10	Dep. Carbon, 100K, 5%, 1/3 W	R33DC104J
R11	Glass, 2.7K, 5%, 1/2 W	R20G272J
R12	Composition, 15	RC20BF150K
R13	Glass, 2.7K, 5%, 1/2 W	R20G272J
R14	Composition, 15	RC20BF150K
R15, 16	Dep. Carbon, 100K, 5%, 1/3 W	R33DC104J
R17, 18	Potentiometer, 250K, preamp. level	R50160-98
R19, 20	Glass, 330K, 5%, 1W	R30G334J
R21, 22	Dep. Carbon, 220K, 5%, 1/3 W	R33DC224J
R23, 24	Composition, 2.2M	RC20BF225K
R25, 26	Composition, 560K	RC20BF564K
R27, 28	Composition, 10M	RC20BF106K
R29, 30	Composition, 2.2M	RC20BF225K
R31, 32	Composition, 470	RC20BF471K
R33, 34	Dep. Carbon, 100K, 5%, 1/3 W	R33DC104J
R35, 36	Composition, 220K, 1W	RC30BF224K
R37	Composition, 1.8K	RC20BF182K

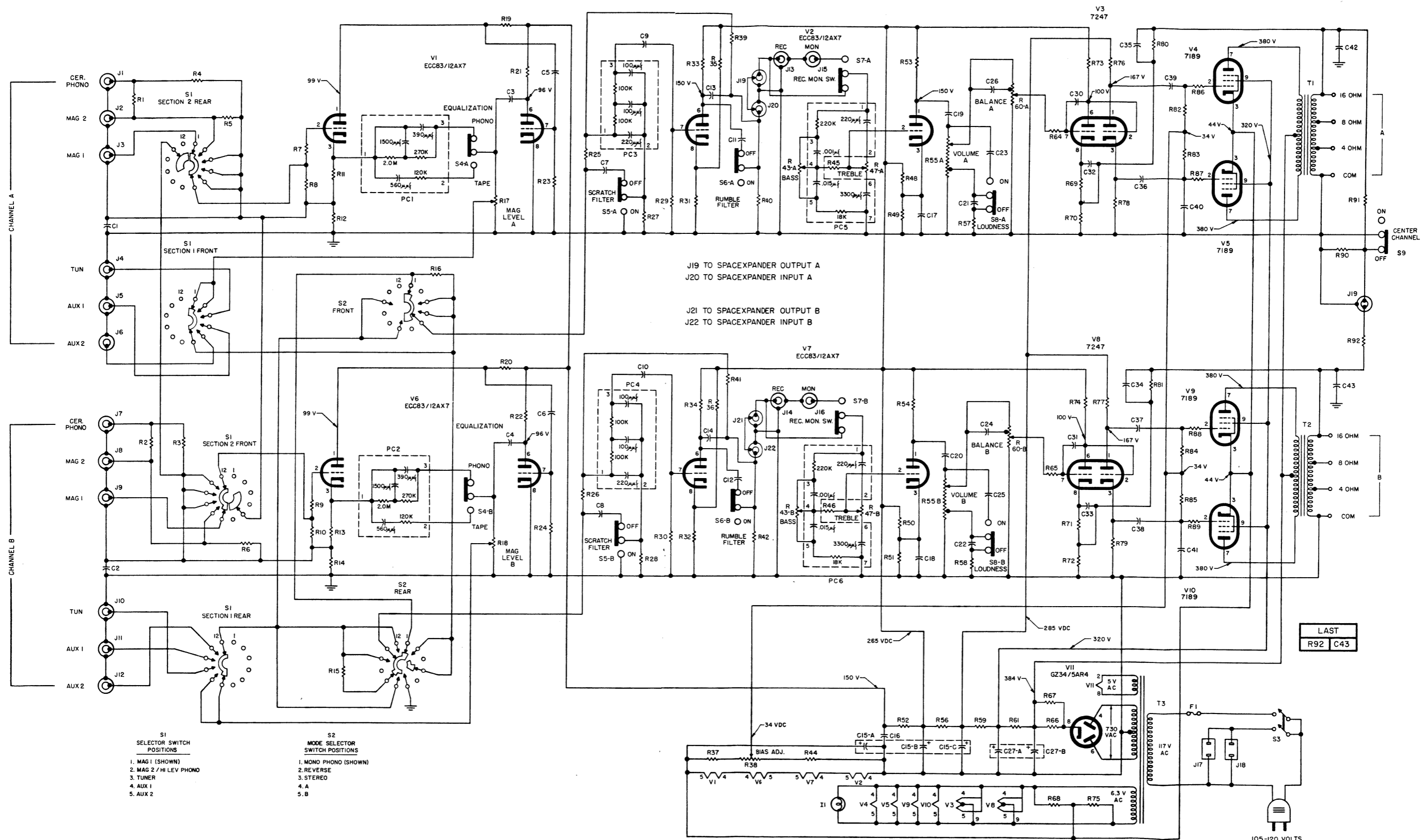
R38	Potentiometer, 5K, bias adj.
R39	Composition, 2.2M
R40	Composition, 330K
R41	Composition, 2.2M
R42	Composition, 330K
R43	Potentiometer, 1M, bass
R44	Composition, 10K
R45, 46	Composition, 39K
R47	Potentiometer, 1M, treble
R48	Composition, 100K, 5%, 1W
R49	Composition, 270
R50	Composition, 100K, 5%, 1W
R51	Composition, 270
R52	Composition, 100K
R53, 54	Dep. Carbon, 100K, 5%, 1/3 W
R55	Potentiometer, 500K, vol.
R56	Composition, 2.7K
R57, 58	Dep. Carbon, 22K, 5%, 1/3 W
R59	Composition, 3.3K, 1W
R60	Potentiometer, 500K, bal.
R61	Glass, 2.2K, 3W
R64, 65	Composition, 47K
R66, 67	Glass, 125, 7W
R68	Composition, 220
R69	Composition, 3.9K
R70	Composition, 220
R71	Composition, 3.9K
R72	Composition, 220
R73, 74	Composition, 560K
R75	Composition, 220
R76, 77, 78, 79	Composition, 47K, 5%, 1W
R80, 81	Dep. Carbon, 1.8K, 5%
R82, 83, 84, 85	Dep. Carbon, 330K, 5%, 1/3 W
R86, 87, 88, 89	Dep. Carbon, 2.7K, 5%, 1/3 W
R90	Composition, 1K
R91, 92	Composition, 4.7K

R50103-4
RC20BF225K
RC20BF334K
RC20BF225K
RC20BF334K
R50160-93
RC20BF103K
RC20BF393K
R50160-93
RC30BF104J
RC20BF271K
RC20BF271K
RC20BF271K
RC20BF104K
R33DC104J
R50160-113
RC20BF272K
R33DC223J
RC30BF332K
R50160-114
RPG3W222K
RC20BF473K
RPG7W125K
RC20BF221K
RC20BF392K
RC20BF221K
RC20BF392K
RC20BF221K
RC20BF564K
RC20BF221K
RC30BF473J
RC20BF182J
R33DC334J
R33DC272J
RC20BF102K
RC20BF472K

MISCELLANEOUS

Symbol	Description	Part No.
F1	Fuse, 3.2 amp., slo-blo	F3319
I1	Lamp, #47	I50009-1
J17, 18	AC receptacle	J546-129
PC1, 2	Printed circuit equalization	PC50187-3
PC3, 4	Printed circuit high freq. filter	PC50187-2
PC5, 6	Printed circuit tone control	PC50187-4
S1	Switch, selector	S781-129CX
S2	Switch, mode selector	S781-130CX
S3	Switch, power	Part of R55
S4, 5, 6, 7, 8	Switch, slide	S50200-5
T1	Transformer, output	T781-116-1
T2	Transformer, output	T781-116-2
T3	Transformer, power	T781-115
—	Dress panel	A5781-123
—	Tube shield	E3286
—	Knob, dual, rear	E50221
—	Knob, dual, front	E50323
—	Knob	E50325-1
—	Jewel, green	150162-4
—	Fuse holder	X1036

SCHEMATIC DIAGRAM



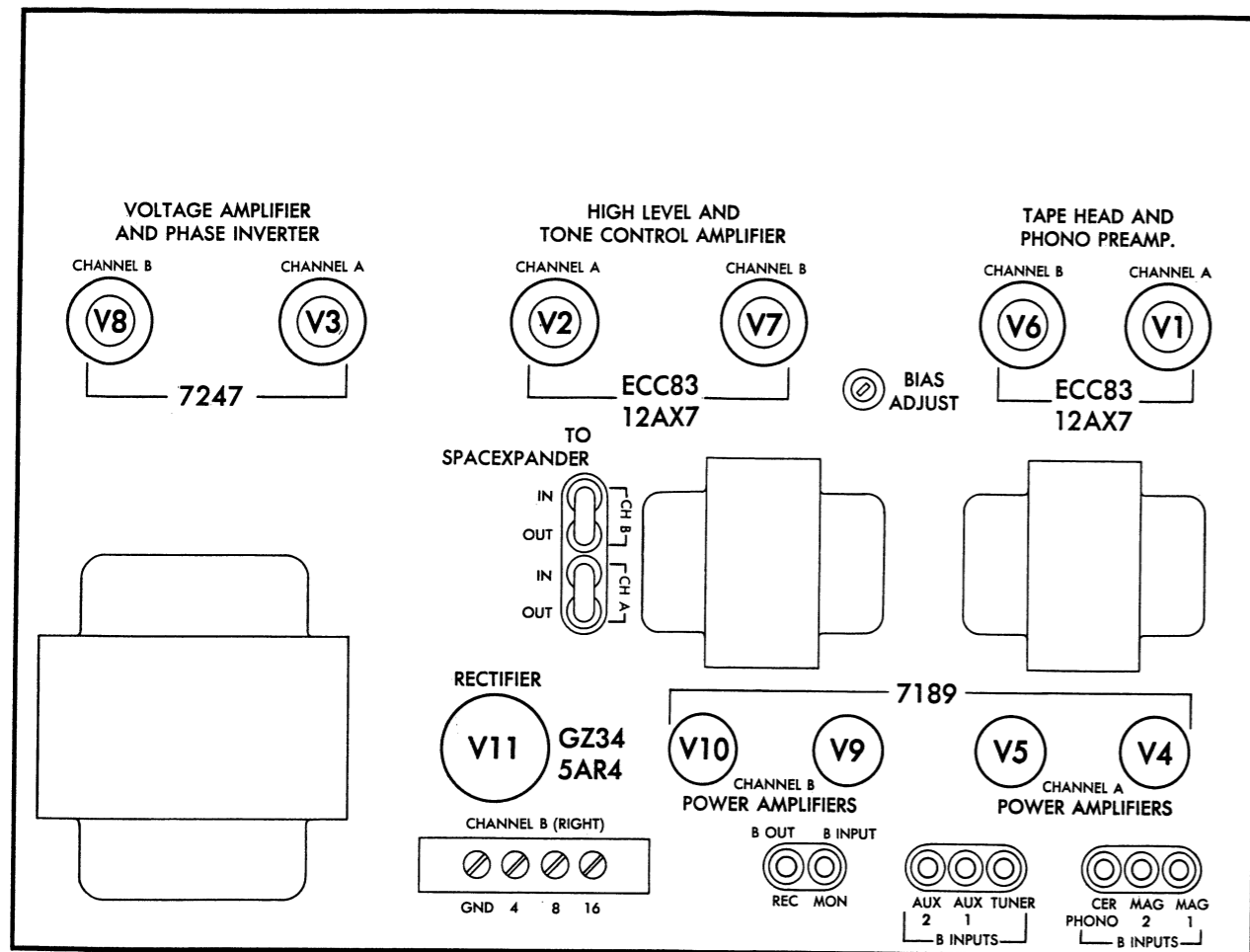
- S1 SELECTOR SWITCH POSITIONS**
1. MAG 1 (SHOWN)
 2. MAG 2 / HI LEV PHONO
 3. TUNER
 4. AUX 1
 5. AUX 2
- S2 MODE SELECTOR SWITCH POSITIONS**
1. MONO PHONO (SHOWN)
 2. REVERSE
 3. STEREO
 4. A
 5. B

LAST
R92 C43

RESISTORS	R1 R2 R3 R4 R5 R6 R7 R9 R11 R14 R8 R10 R12 R15 R13 R16 R17 R19 R21 R23 R25 R27 R29 R31 R33 R35 R38 R39 R42 R43-A R44 R45 R47-A R49 R52 R54 R55-B R50 R51 R53 R55-A R57 R59 R60-A R60-B R61 R64 R67 R70 R73 R76 R79 R80 R82 R85 R88 R83 R86 R89 R84 R87 R90 R91 R92
CAPACITORS	C1 C2 C3 C4 C5 C6 C7 C8 C9 C10 C11 C13 C12 C14 C15-A C16 C15-B C17 C18 C19 C20 C15-C C21 C23 C22 C24 C27-A C25 C26 C27-B C30 C31 C32 C33 C34 C35 C36 C37 C38 C39 C40 C41 C42 C43

SERVICE NOTES

TUBE LAYOUT



INS-100

SERVICE NOTES

BIAS ADJUST CONTROL

This control, located on top of the chassis (see Tube Layout), establishes the bias voltage on the grids of the power amplifier tubes in each channel. Adjust this control as follows:

- 1 — Turn on the power, leaving the Master Volume control at MINIMUM. The position of the other controls is not significant.
- 2 — Connect the positive lead of a DC voltmeter to cathode (pin #3) of any of the power amplifier tubes (V4, 5, 9 or 10,) and the ground lead to chassis ground. Turn the Bias Adjust to obtain a reading of + 44 volts DC.



FISHER RADIO CORPORATION • NEW YORK

N781-104DX

PRINTED IN U. S. A.

©1961 FISHER RADIO CORPORATION

349-W12C-111